



FLA SERIES LED FLOOD LIGHT

- ✓ Replaces 50-150 Watt Metal Halide Lights
- ✓ Heavy Duty Aluminum Housing with UV Resistant Finish
- ✓ 60,000 Hour Rated Lifetime
- ✓ 5 Year Manufacturers Warranty
- ✓ Knuckle Mount, Trunion & Wall Mount Options
- ✓ UL & DLC Certified

Nominal Specifications

LifeLux™ STD Rating

Power

15W, 30W, 45W

Voltage

100-277V

Color Temperature

4000K, 5000K

Design Life

5,000 hrs

CRI

>80

Power Factor

>0.90

Warranty

5 Year Manufacturers Limited Warranty

Certifications

UL, DLC

Dimensions

15W - 4.72" x 2.95" x 1.27" - 0.93 lb

30W - 7.06" x 4.42" x 1.75" - 2 lbs

45W - 8.26" x 6.2" x 2.45" - 4 lbs

ORDERING DATA: Per chart below

Example : USALED-FLA-15-40K-XX

xxxxxx	xxxxxx	xxxxxx	xxxxxx	xxxxxx
USALED	Model FLA-15 FLA-30 FLA-45	Wattage 15 = 15W 30 = 30W 45 = 45W	Color Temperature 40K = 4000K 50K = 5000K	Options UB = U Bracket

Model #	Wattage	CCT	Nominal Lumen Output
USALED-FLA-15W	15W	4000K, 5000K	1,500 lm
USALED-FLA-30W	30W	4000K, 5000K	3,000 lm
USALED-FLA-45W	45W	4000K, 5000K	4,500 lm

Installation Summary:

- 1) Locate and turn off power source.
- 2) Open junction box and knock out the desired spot for the fixture.
- 3) Thread the wires from the fixture through the hole, tightening the fixture in place using the mounting nut.
- 4) Connect the corresponding wires to the power source
- 5) Replace the junction box cover, adding the waterproof cover beforehand.
- 6) Test the light to ensure the electrical connection is sound.

Kit Includes: Adjustable knockout and trunion mounting options

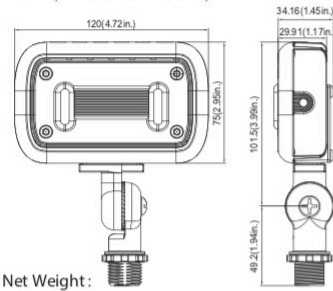
Note : Suitable for Dry and Damp Locations



DIMENSIONS

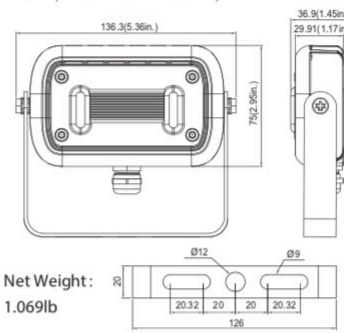
unit: mm/inch

15W(Knuckle Mount)



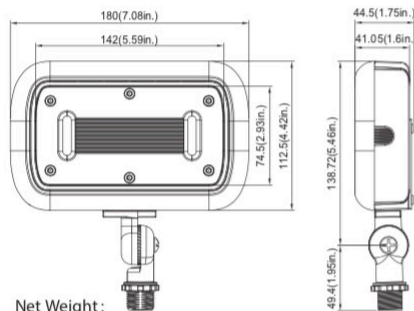
Net Weight:
0.939lb

15W(Trunnion Mount)



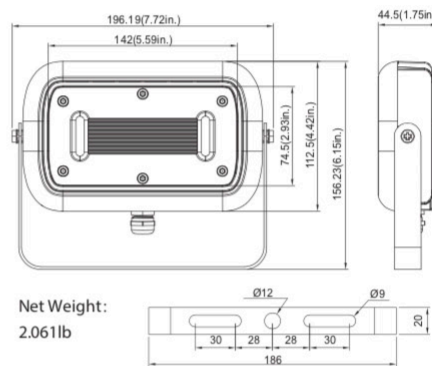
Net Weight:
1.069lb

30W(Knuckle Mount)



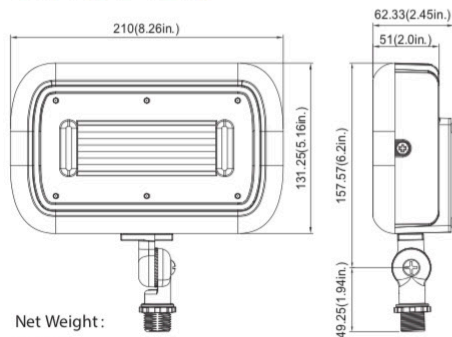
Net Weight:
1.887lb

30W(Trunnion Mount)



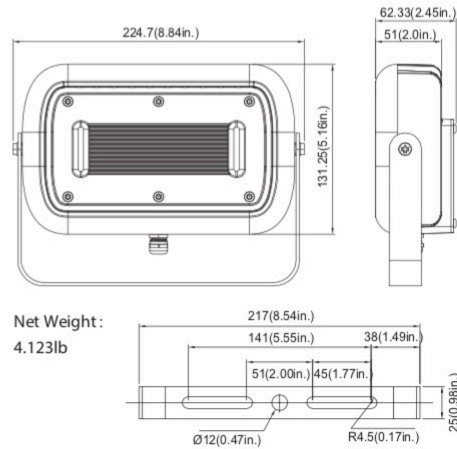
Net Weight:
2.061lb

45W(Knuckle Mount)



Net Weight:
3.893lb

45W(Trunnion Mount)



Net Weight:
4.123lb