

LBA SERIES

LED LOWBAY LIGHT



- ✓ Rated Operating Temperature of -4° To 122° Fahrenheit
- ✓ 50,000 Hour Rated Lifetime
- ✓ 5 Year Manufacturers Warranty
- ✓ Emergency Backup & Occupancy Sensor Optional
- ✓ UL & DLC Certified
- ✓ 18 - 90 Watt Power Range

Nominal Specifications

LifeLux™ STD Rating
Length
 2', 4', 8'
Power
 20W, 25W, 35W, 40W, 65W
Voltage
 100-277V AC
Lumen Output
 130 Lm/W
Color Temperature
 3500K, 4000K, 5000K

Lens

Frosted
Design Life
 50,000 hrs
Beam Angle
 270 degrees
CRI
 >80
Power Factor
 >0.90
Warranty
 5 Year Manufacturers Limited Warranty

Certifications

UL, DLC
Dimensions
 2FT - 24" x 3.35" x 3.56"
 4FT - 48" x 3.35" x 3.56"
 8FT - 96" x 3.35" x 3.56"

ORDERING DATA: Per chart below

Example : USALED-LBA-4FT-01-40-DM-40K

xxxxxx	xxxxxx	xxxxxx	xxxxxx	xxxxxx	xxxxxx	xxxxxx
USALED	Model LBA-2FT LBA-4FT LBA-8FT	LED Code 01	Wattage 20 = 20W 25 = 25W 35 = 35W 38 = 38W 65 = 65W	Internal Code DM	Color Temp 35K = 3500K 40K = 4000K 50K = 5000K	Options EM = EM Battery Backup Blank = Standard

APPLICATIONS

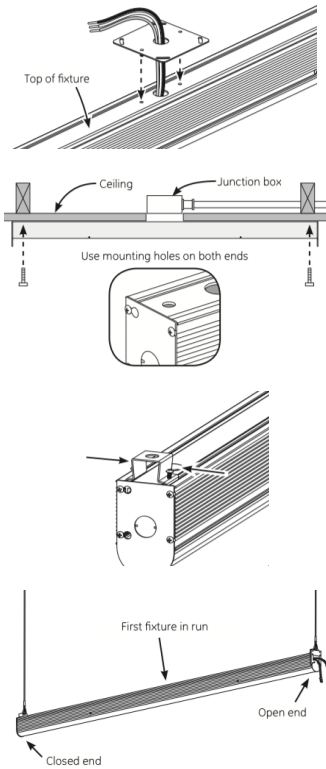
Lobby, Commercial, Industrial, Warehouse, Retail, Mall, Airport, Subway, Grocery Store

Kit Includes

Two brackets for Mounting
 Mounting options Include, Chain, Cord, Rod, or Surface Mount

Note : Suitable for Dry and Damp Locations





Installation Summary:

Hanging Installation:

- 1) Turn off power to existing fixture or junction box.
- 2) Disconnect and remove existing fixture if there is one.
- 3) Locate struts or beams to anchor the fixture to.
- 4) Secure the aircraft wire through the hook and onto the anchor, tightening the clamps as necessary.
- 5) Secure the fixture to the wire, and level as necessary.
- 6) Open junction box and locate wires, locating the corresponding wires on the light.
- 7) Connect the corresponding wires on the fixture to the power source. Note: for 0-10V Dimming, test the connection now by powering on the light and using a voltage meter.
- 8) Close the junction box and secure.
- 9) Test the light to ensure the electrical connection is sound.

Direct Installation:

- 1) Turn off power to existing fixture or junction box.
- 2) Disconnect and remove existing fixture if there is one.
- 3) Locate wires inside the power box, locating the corresponding wires on the light.
- 4) Connect the corresponding wires on the fixture to the power source. Note: for 0-10V Dimming, test the connection now by powering on the light and using a voltage meter.
- 5) Lock Mounting Plates in place on the light.
- 6) Close the junction box and secure.
- 7) Using Tech Screws, attach the Mounting Plates to the desired surface, making sure the light is secure.
- 8) Test the light to ensure the electrical connection is sound.

Model #	Length	Wattage	CCT	Nominal Lumen Output
USALED-LBA-2FT (20)	2'	20W	3500K,4000K,5000K	2,600 lm
USALED-LBA-4FT (25)	4'	25W	3500K,4000K,5000K	3,013 lm
USALED-LBA-4FT (35)	4'	35W	3500K,4000K,5000K	4,690 lm
USALED-LBA-8FT (38)	8'	38W	3500K,4000K,5000K	4,940 lm
USALED-LBA-8FT (65)	8'	65W	3500K,4000K,5000K	8,320 lm